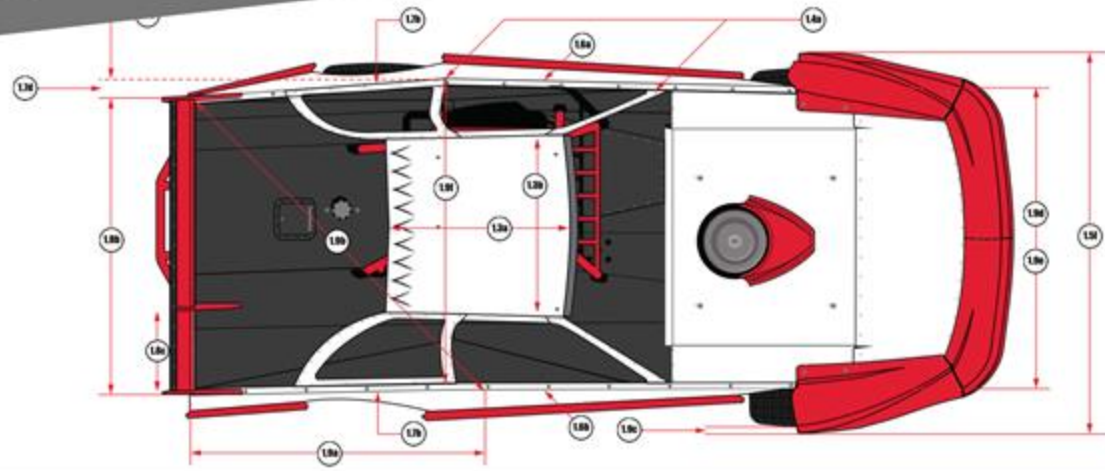




2024 LATE MODEL BODY DIMENSIONS TOP VIEW



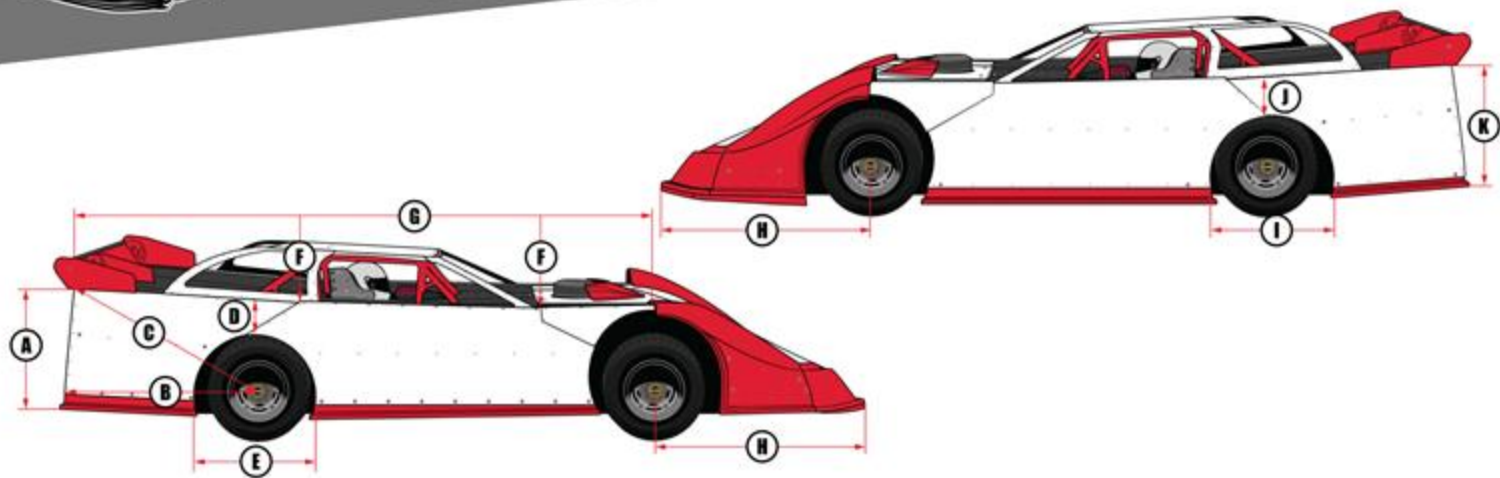
- 1.3a** Roof length must be a minimum of forty-four inches (44") to a maximum of fifty-four inches (54")
- 1.3b** Roof width must be a minimum of forty-eight inches (48") to a maximum of fifty-two inches (52")
- 1.4a** All roof side panels must extend to edge of decking
- 1.5f** Front fender flares cannot extend beyond front tire more than one-inch (1") in width with the wheels pointed straight
- 1.6a** Door cannot exceed seventy-seven inches (77") in it's entirety at top of door
- 1.6b** Door cannot exceed ninety inches (90") in width at the bottom in the center of the car
- 1.7b** The quarter panels cannot exceed seventy-six inches (76") in width at any point behind the center of the rear hub as measured at the top
- 1.7c** Rear decks must taper from seventy-six inches (76"), as measured at the top over the rear hubs, uniformly back to seventy-two inches (72") at the spoiler, equally on both sides

- 1.7d** Four inches (4")
- 1.8b** Maximum spoiler width is seventy-two inches (72")
- 1.8c** Breakaway panel maximum of twenty one inches (21")
- 1.9a** Reference point. Ninety-six inches (96") from rear deck bar
- 1.9b** Diagonal reference point. One-hundred seventeen inches (117") from left-rear spoiler to 1.9a reference point
- 1.9c** Outside of right-front fender to outermost point of right front tire
- 1.9d** Total width of fenders at center of tires must be seventy-six inches (76")
- 1.9e** Total with of the top of the body at the hack of the hood cannot exceed seventy-six inches (76")
- 1.9f** Total width of the top of the body at the roof post cannot exceed seventy-six inches (76")



2024 LATE MODEL BODY DIMENSIONS

SIDE VIEW SPECIFICATIONS



A Twenty-Seven inches (27") MINIMUM, Thirty-One inches (31") MAXIMUM INCLUDING Plastic

B Forty-Nine inches (49")

C Fifty-Four inches (54")

D Eight inches (8") MINIMUM

E Twenty-Nine inches (29") MINIMUM, Thirty-Two inches (32") MAXIMUM

F One Inch (1") Drop

G Two inches (2") Drop at from rear of car to top of fender

H Fifty-Three inches (53")

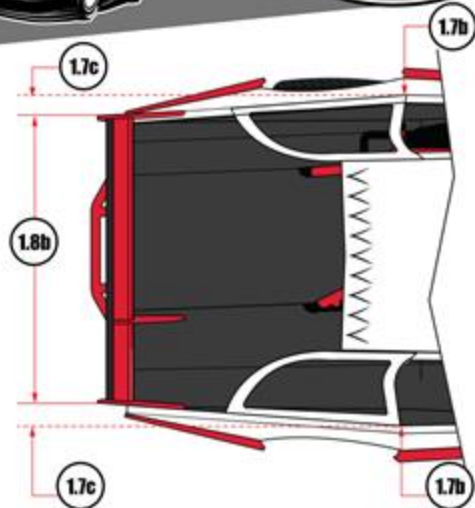
I Twenty-Eight inches (28") MINIMUM, Thirty-Three inches (33") MAXIMUM. Opening at sheet metal MUST be a symmetrical circle

J Ten inches (10") MINIMUM

K Thirty-Three inches (33") MINIMUM, Thirty-Six inches (36") MAXIMUM INCLUDING Plastic

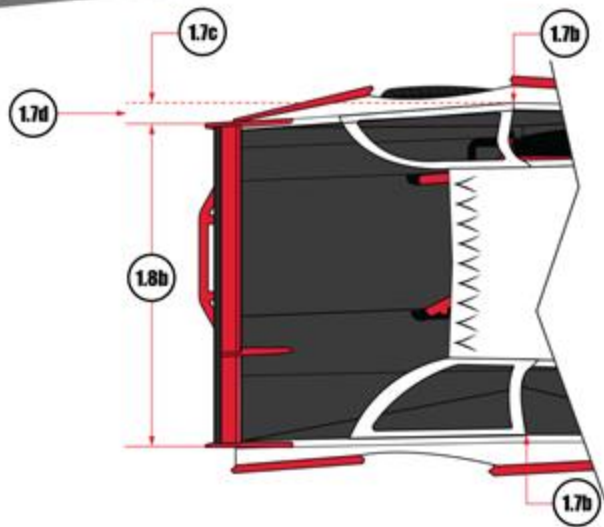


2024 LATE MODEL BODY DIMENSIONS QUARTER PANEL OPTIONS



OPTION 1

Rear decks must taper from seventy-six inches (76"), as measured at the top over the rear hubs, uniformly back to seventy-two inches (72") at the spoiler, equally on both sides.



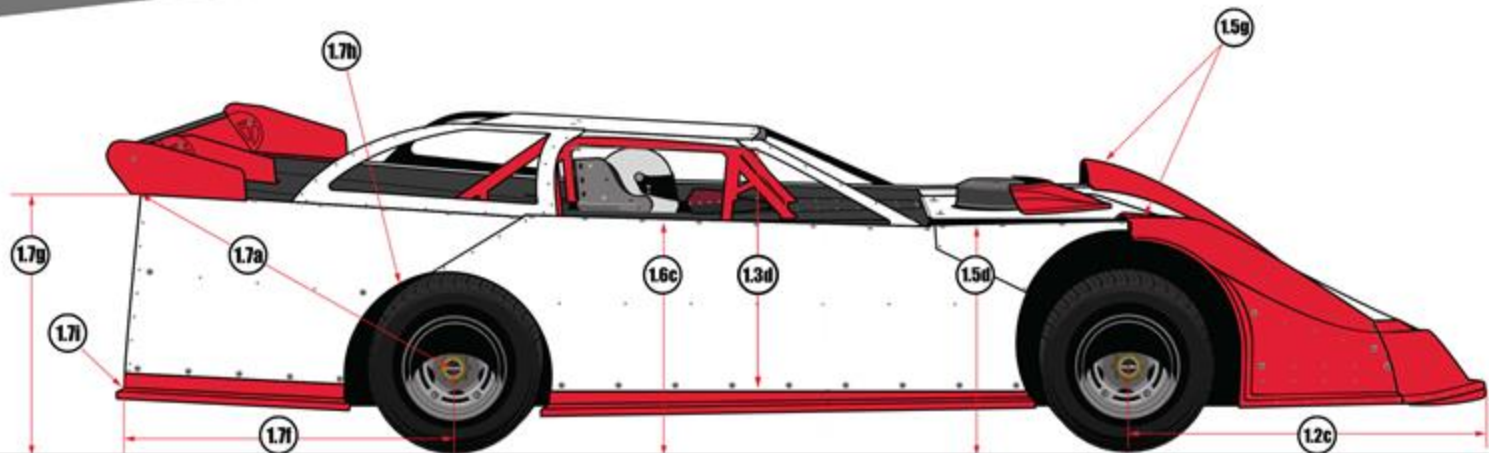
OPTION 2

Rear decks must taper from seventy-six inches (76"), as measured at the top over the rear hubs, uniformly back to seventy-two inches (72") at the spoiler, equally on both sides.



2024 LATE MODEL BODY DIMENSIONS

MASTER SIDE VIEW



1.2c Stock nosepiece can extend a maximum of fifty-three inches (53") from center of front hub to farthest point extending forward

1.7a Fifty-four inches (54") MAXIMUM center of rear hub to top corner of quarter panel

1.3d Minimum thirty eight inches (38") from bottom of roll cage to top of the floor pan

1.7f Forty-nine inches (49") MAXIMUM length from center of rear hub to end of quarter panel

1.5d Front fenders cannot exceed thirty-seven inches (37") in height measured from the ground

1.7g Thirty-nine inches (39") MAXIMUM height from top of deck to ground

1.5g The front fender flares may not be higher than fenders by more than four inches (4")

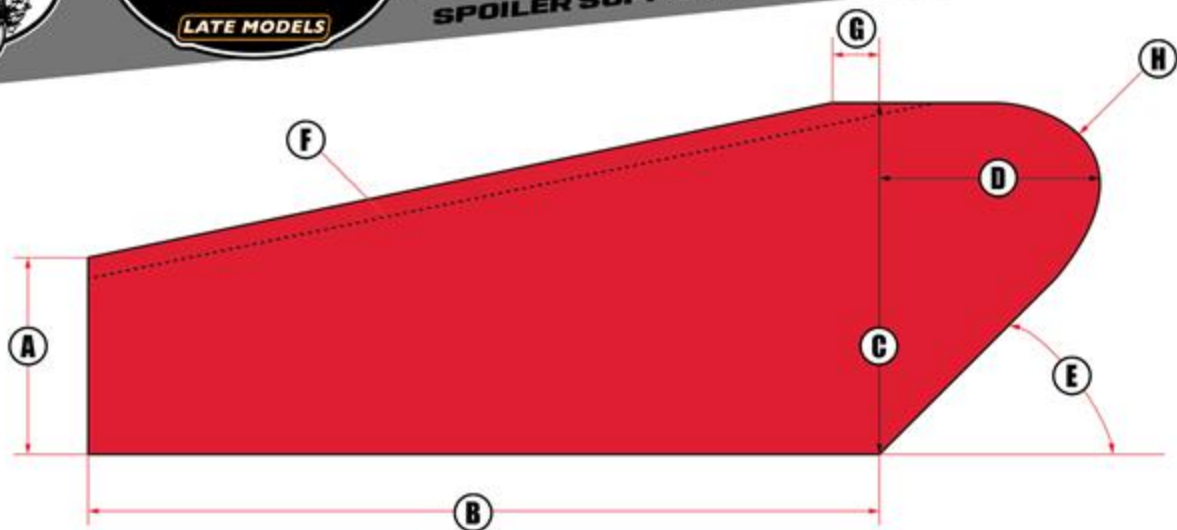
1.7h MINIMUM of two inches (2") tire clearance from body

1.6c Doors cannot exceed thirty-seven inches (37") in height measured from the ground

1.7i Skirting cannot extend beyond the quarter panel



2024 LATE MODEL BODY DIMENSIONS SPOILER SUPPORTS



A Four and One Half Inches (4.5")

B Eighteen Inches (18")

C Eight Inches (8")

D Eight Inches (8")

E Forty-Five Degrees (45°) from mounting surface

F Broken line indicates one-half inch (1/2") MAXIMUM break

G One inch (1")

H Radius must be MINIMUM of two inches (2") at top rear

NOTE No more than three (3) spoiler supports permitted. Front edge of supports must be in line.

NOTE DIMENSIONS HAVE ZERO TOLERANCE!